



PHOENIX GX  
WIWA PROFESSIONAL GX  
HERKULES GX



## WHY THE WIWA GX SERIES?

- Top performance even in the toughest areas of application
- Economical thanks to extremely sturdy design and long service life
- Precise results due to low pulsation
- Reliable even in continuous operation
- Low wear and low maintenance costs thanks to self-adjusting packings
- Ideal for automatic spraying systems and paint circulation systems

## THE BENEFITS AT A GLANCE



- Durable full metal construction
- Air outlet for attaching additional pneumatic tools optional
- Pump housing seals before the threads avoid sticking due to coating seepage
- Piston and foot valves close quickly due to precision ball guides
- Near total air pocket removal due to minimal dead space
- Oil-free air motor does not require pneumatic oil for lubrication



**WIWA**<sup>®</sup>  
Your project deserves it.

**"With the WIWA PHOENIX GX, I stay flexible and mobile. Best results, wherever I am needed."**



# EFFICIENT • VERSATILE • HIGH QUALITY

PHOENIX GX Tripod



PHOENIX GX Feed hopper



PHOENIX GX Elevator



## TECHNICAL DATA WIWA PHOENIX GX

	Model 105030	Model 140053	Model 105018	Model 140032	Model 140020	Model 200042	Model 200065
Pump capacity per double stroke (cm <sup>3</sup> )	43	43	72	72	111	111	72
Pressure ratio	30:1	53:1	18:1	32:1	20:1	42:1	65:1
Max. output at 60 double strokes (l/min/gpm)	2,6/0,7	2,6/0,7	4,3/1,1	4,3/1,1	6,7/1,8	6,7/1,8	4,3/1,1
Max. air inlet pressure (bar/psi)	8/116	8/116	8/116	8/116	8/116	8/116	7/101
Max. operating pressure (bar/psi)	240/3480	424/6149	144/2088	256/3712	160/2320	336/4873	455/6599
Model	Order No.	Order No.	Order No.	Order No.	Order No.	Order No.	Order No.
PHOENIX GX Elevator	0666589	0666591	0666590	0663944	0666592	0666559	0666593
PHOENIX GX Tripod	0667916	0667923	0667920	0667926	0667929	0667934	0667931
PHOENIX GX Wall bracket	0667919	0667925	0667922	0667927	0667930	0667935	0667933
PHOENIX GX Feed hopper	0667918	-	-	-	-	-	-

WIWA PHOENIX GX – the new high-performance, multi-purpose pumps for painting wood and metal as well as other coatings in industry and trade.

The WIWA PHOENIX GX Series consists of a versatile and high quality pump range for almost all areas of application. Thanks to its mobility and simple operation, it is ideal for large and small surface areas. Let us convince you of its durability and economical design.

### MATERIALS

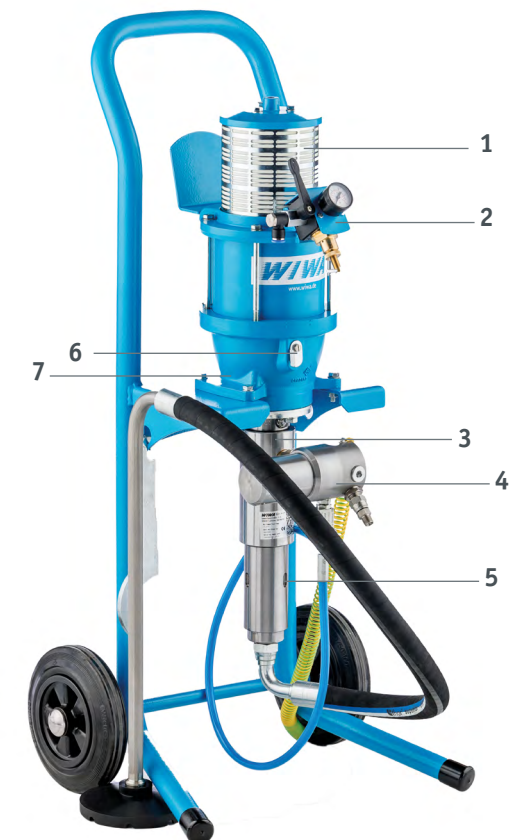
- Primers
- Sprayable spackle
- Sprayable paints and varnishes
- Plural-component and tar-epoxy paints (highly viscous and coarsely pigmented)
- Textured lacquers
- Hammered effect lacquers
- Zinc dust paints
- Anti-rust and micaceous iron oxide paints
- Low-solvent and solvent-free paints
- Stains
- Water-based varnishes
- Transparent lacquers
- Thick-film varnishes

### AREAS OF APPLICATION

- Carpentries
- Furniture industry
- Paint shops
- Machinery and vehicle manufacture
- Steel and hall construction
- Steel processing industry
- Automatic and manual spray painting systems
- Marine coatings (interior coatings)
- Railcar manufacture
- Fluid transfer and paint supply systems

### PERFORMANCE, JUST LIKE THE BIG ONES

- 1 Oil-free and low-icing, technically optimized high-performance air motor
- 2 Maintenance unit in a compact design directly on the air motor
- 3 Material pump and HP filter made of stainless steel
- 4 Easy to open high pressure filter with hook spanner
- 5 Coarse threads for easy assembly and disassembly of the material pump
- 6 Throat seal liquid sight glass; the level of throat seal liquid can be easily checked
- 7 QR code for quick access to the device's technical data





**WIWA**®

Your project deserves it.



Unconditional enthusiasm for the perfect finish. This is the WIWA PROFESSIONAL GX – a masterpiece in its class.



# QUALITY • STABILITY • ENTHUSIASM

## PROFESSIONAL GX Cart



TECHNICAL DATA WIWA PROFESSIONAL GX	Model 230063	Model 230051	Model 230035	Model 230027
Pump capacity per double stroke (cm <sup>3</sup> )	153	189	275	360
Pressure ratio	63:1	51:1	35:1	27:1
Max. output at 60 double strokes (l/min/gpm)	9,2 /2,4	11,3/3	16,5/4,4	21,6/5,7
Max. air inlet pressure (bar/psi)	7/101	8/116	8/116	8/116
Max. operating pressure (bar/psi)	441/6396	408/5917	280/4061	216/3132
Model	Order No.	Order No.	Order No.	Order No.
PROFESSIONAL GX Cart	0664095	0664096	0664097	0664098
PROFESSIONAL GX Elevator	0664103	0664104	0664105	0664106
PROFESSIONAL GX Wall bracket	0664099	0664100	0664101	0664102

Experience noticeable quality, the best engineering skills and durability under the toughest conditions. The WIWA GX motor generation impresses with a full metal housing, optimized air distribution during service to minimize icing during continuous operation and reduced noise.

Low-maintenance, durable material pumps reduce operating costs and ensure uncompromising fluid flow. Unconditional enthusiasm perfected. This is the WIWA PROFESSIONAL GX – a masterpiece in its class.

### MATERIALS

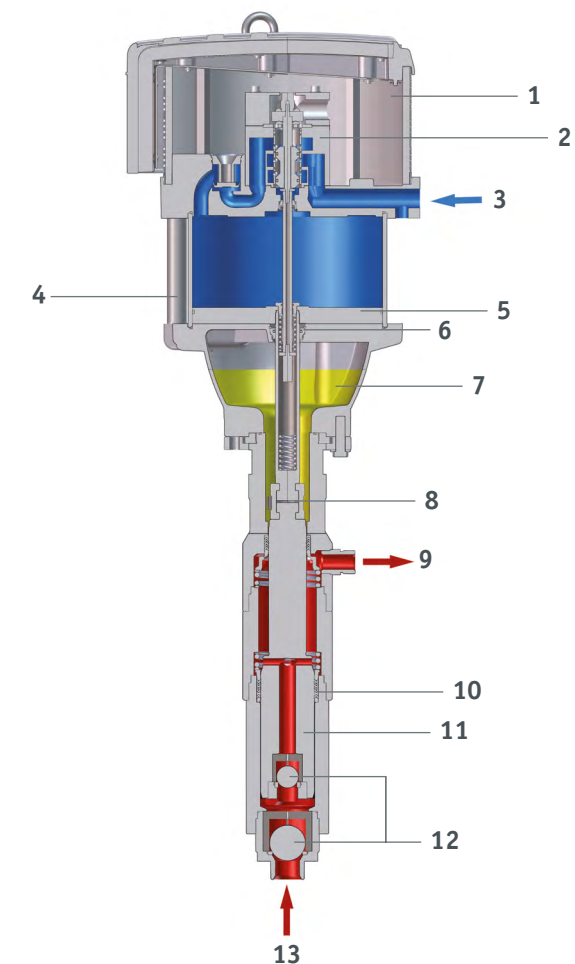
- Abrasive materials
- Flame protection
- Sprayable lacquers and paints
- Glassflake
- Insulation and thick-film material
- Anti-fouling materials
- Cold bitumen
- Short-fibre filling materials
- Low-solvent and solvent-free paints
- Plural component and tar-epoxy paints

### AREAS OF APPLICATION

- Large areas
- Marine coatings
- Steel and hull construction
- Railcar manufacture
- Paint shops
- Offshore industry
- Industrial coatings
- Structural engineering and corrosion protection
- Insulation
- Fire protection
- Transfer pumps

### DESIGN FEATURES OF THE WIWA GX HIGH PRESSURE PUMPS

- 1 Muffler
- 2 Maintenance-free control
- 3 Air inlet
- 4 Generously sized air passages and exhaust bypass
- 5 Precision piston guiding
- 6 Nylon guide bushing
- 7 Throat seal liquid reservoir
- 8 Coupling
- 9 Material outlet
- 10 Spring-loaded packings
- 11 Hard-chromed double piston
- 12 Large valves with tungsten carbide valve seats and stainless steel valve balls
- 13 Material inlet





**WIWA**

Your project deserves it.

The art of engineering to perfection.  
The WIWA HERKULES GX handles even  
the largest projects with you.



# POWERFUL • QUIET • GROUNDBREAKING

HERKULES GX Cart



HERKULES GX Wall bracket



HERKULES GX Elevator



## TECHNICAL DATA WIWA HERKULES GX

	Model 270088	Model 270071	Model 270049	Model 33375	Model 270037	Model 33357	Model 270024	Model 33337
Pump capacity per double stroke (cm <sup>3</sup> )	153	189	275	275	360	360	550	550
Pressure ratio	88:1	71:1	49:1	75:1	37:1	57:1	24:1	37:1
Max. output at 60 double strokes (l/min/gpm)	9,2/2,4	11,3/3	16,5/4,4	16,5/4,4	21,6/5,7	21,6/5,7	33,0/8,7	33,0/8,7
Max. air inlet pressure (bar/psi)	5,5/79	7/101	8/116	6,5/94	8/116	7/101	8/116	8/116
Max. operating pressure (bar/psi)	484/7019	497/7208	392/5685	487/7063	296/4293	399/5787	192/2784	296/4293
Model	Order No.	Order No.	Order No.	Order No.	Order No.	Order No.	Order No.	Order No.
HERKULES GX Cart	0662617	0662618	0662619	0663681	0662620	0663682	0662621	0663683
HERKULES GX Elevator	0660706	0660707	0660708	0663686	0660709	0663470	0660710	0663687
HERKULES GX Wall bracket	0660593	0660594	0660595	0663684	0660596	0663471	0660597	0663685
HERKULES GX Cart with 25 ltr./6,5 gal. feed hopper	-	0663817	-	-	-	-	-	-

The WIWA HERKULES GX Series is a powerful and dynamic addition to the WIWA airless product range in the upper performance classes. The WIWA HERKULES GX is particularly suitable for large surface areas and thick-layer coatings with very high pressure ratios and enormous delivery rates. Even the use of several spray guns at the same time and hose lengths of over 100 meters in length pose no problems for these airless paint sprayers.

### MATERIALS

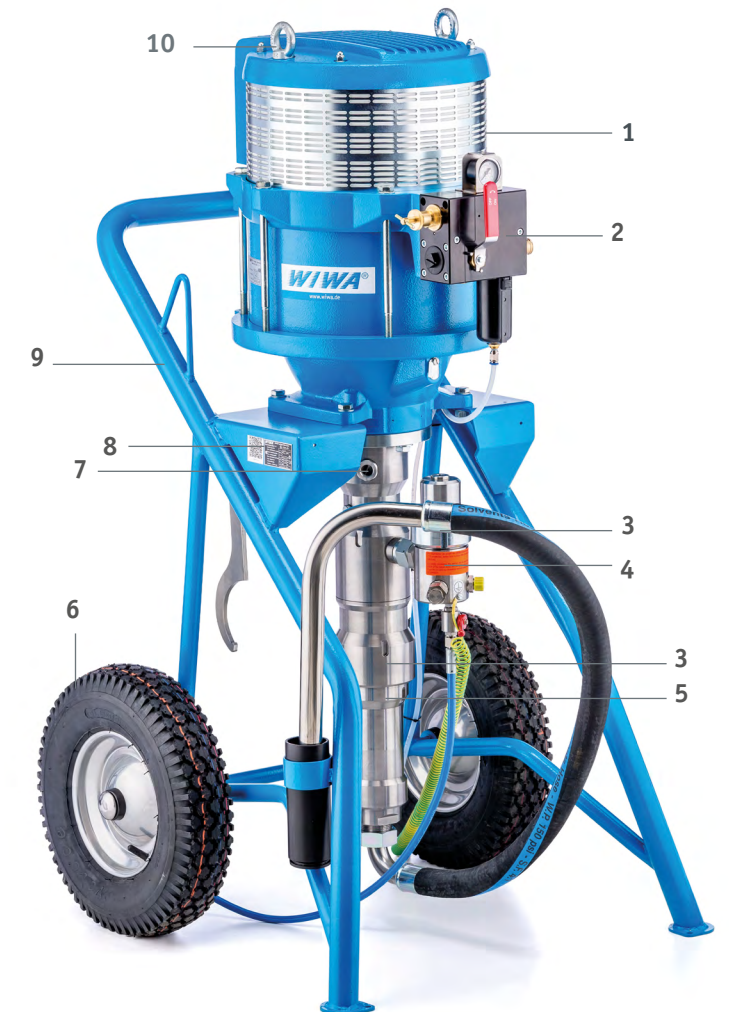
- Glassflake-epoxy
- Low-solvent and solvent-free paints
- Two-component materials
- Anti-fouling materials
- Fibrous materials
- Abrasive materials (zinc silicate e.g.)
- Cold bitumen
- Thick-film materials
- Flame protection

### AREAS OF APPLICATION

- Marine and offshore industry
- Steel construction
- Coating and paint shops
- Construction insulation and waterproofing
- Rail
- Industry

### FEATURES OF THE GX WORLD

- 1 Oil-free and low-icing, technically optimized high-performance air motor
- 2 Maintenance unit in a compact design directly on the air motor
- 3 Material pump and HP filter made of stainless steel
- 4 Easy to open high pressure filter with hook spanner
- 5 Coarse threads for easy assembly and disassembly of the material pump
- 6 Deep-tread tires also suitable for difficult terrain
- 7 Release agent sight glass; the level of release agent can be easily checked
- 8 QR code for quick access to the device's technical data
- 9 Stable multifunctional frame with holder for suction systems, tools, hoses and manual
- 10 Crane hooks for lifting the system





## PRODUCT RANGE



### ATEX 94/9/EG

#### Head Office and Production Germany

WIWA Wilhelm Wagner GmbH & Co. KG  
Gewerbestrasse 1-3  
35633 Lahnu, Germany  
Visitor address: Georg-Ohm-Straße 12  
35633 Lahnu, Germany  
Phone: +49 (0) 6441 609-0

[www.wiwa.de](http://www.wiwa.de)

#### WIWA Subsidiary USA

WIWA LLC – USA, Canada, Latin America  
107 N. Main St.  
P.O. Box 398, Alger, OH 45812  
Tel.: +1-419-757-0141  
Fax: +1-419-549-5173  
Toll-Free: +1-855-757-0141

[www.wiwausa.com](http://www.wiwausa.com)

WIWA's extensive product range includes 1K-, 2K- und 3K equipment for processing, spraying and gluing a variety of materials in industrial use. Suitable for large surfaces, high viscosities and coatings for marine and offshore applications. Ideal in corrosion protection, for surface sealing, passive fire protection, in steel and hall construction as well as for all industrial coatings.



WIWA FLEXIMIX 2, electronic plural component spray equipment



WIWA DUOMIX, pneumatic plural component spray equipment



WIWA DUOMIX PU HX, hydraulic plural component spray equipment



WIWA DUOMIX 333 PFP ATEX, for intumescent fire protection material



WIWA HERKULES GX 333 GX, single feed (airless) spray equipment



WIWA VULKAN, pneumatic extrusion equipment